

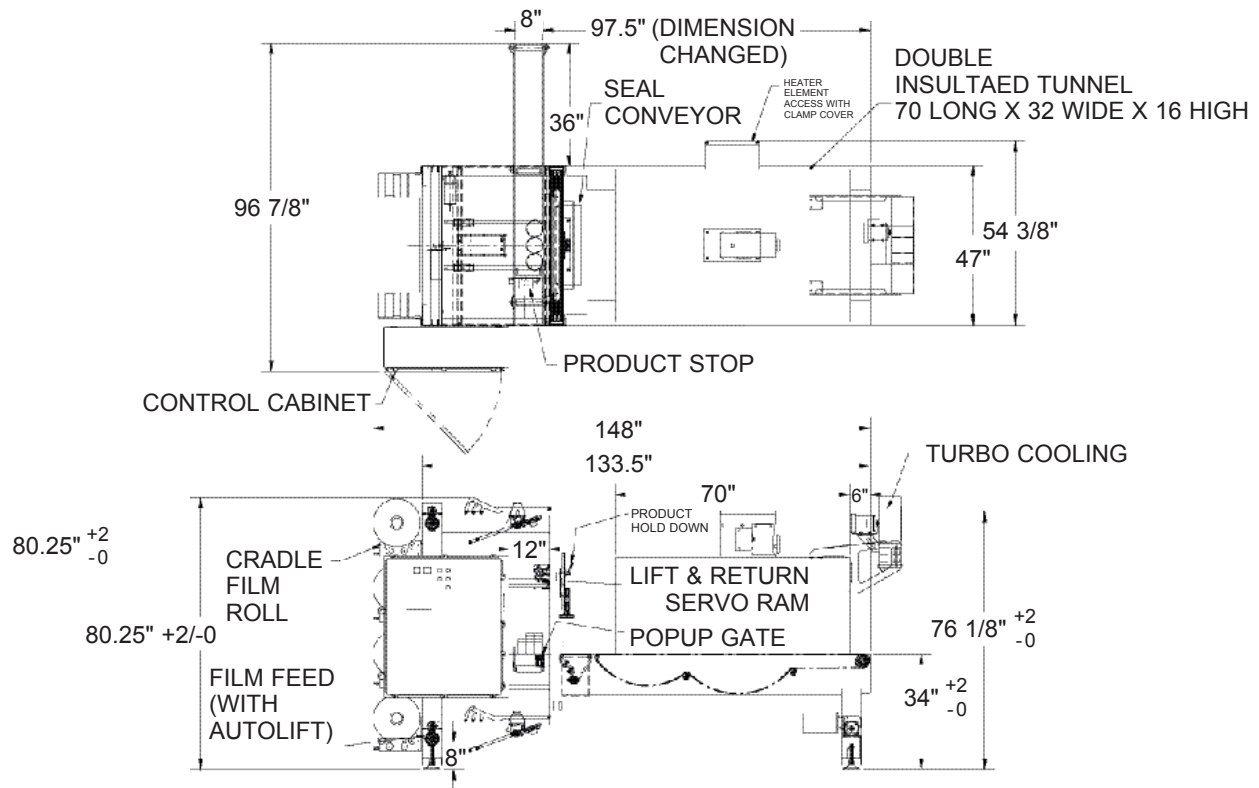
MACHINE FEATURES

- Low profile, compact, single frame construction designed for around-the-clock operation
- Heavy-duty tubular stainless steel frame for washdown environments
- Stainless steel mesh guarding with safety switches
- Independently driven film feed rollers with easy threading feature
- Dual roll top and bottom film cradles
- Central point lubrication (nylon lines) simplifies preventative maintenance
- Allen-Bradley® MicroLogix PLC
- Allen-Bradley® PanelView 600 Plus operator interface with color touchscreen with message display and self-diagnostics
- NEMA 4X electrical controls and cabinets
- Low film alert warns that a film changeover will soon be necessary
- Independently driven (AC VFD) conveyor belts
- Rodless cylinder main ram
- High precision heavy duty seal frame with seal bar safety sensor.
- Quick change seal bar with coated seal inserts
- Product hold-down for light products
- Transfer bridge plate for smooth product transition through seal gap
- Easy access pullout heater elements

- Triple insulated high velocity shrink tunnel
- High temperature plastic, sprocket driven tunnel belt
- Cooling section at tunnel exit for immediate product handling
- Levelers for uneven floors
- Operator manual with maintenance, safety and operating procedures

APPLICATIONS

- Squares
- Rounds
- Scrounds
- Quarts
- Pints
- Cartons
- Plastic tubs
- Cans
- Boxes
- Aseptic products
- Trays
- Pails



OPTIONS

- Casters for machine portability
- Servo driven ram for custom applications
- Servo driven seal frame
- Allen-Bradley® Compact Logix (standard with servo option)
- Allen-Bradley® PanelView 700 Plus or PanelView 1000 Plus
- Film splicing assembly
- Stainless steel tunnel belt with bottom heat
- Central lubrication with copper or stainless steel tubing
- Spare Parts Kit
- Lane dividers, stackers and turners available
- Novelty corrugated sleeve
- Custom solutions to suit your specific application

SPECIFICATIONS

Speed

- Output speed: up to 25 packages per minute, depending on product specifications.

Power Requirements

Electrical

- 460V or 240V, 3Ph, 60Hz, 39A

Pneumatic

- Pneumatic: 80 psi, 10 CFM

Product Range

- Pints 3x2 4x2
- Quarts 3x2
- Tubs 2x1 2x2
- Scrouds 3x1 3x2
- Round 3x1 3x2
- Squares 3x1 3x2

Note: Product size configuration should not exceed 27" film width

Film

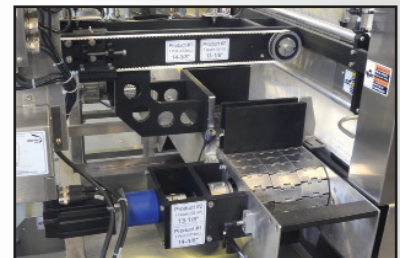
- Film width: 27" max.
- Film roll diameter: up to 14"
- Low density polyethylene (L.D.P.E.)



Ergonomic Cradles for Easy Film Loading



User-Friendly Operator Controls



Optional Servo Driven Ram and Infeed Conveyor