



description?

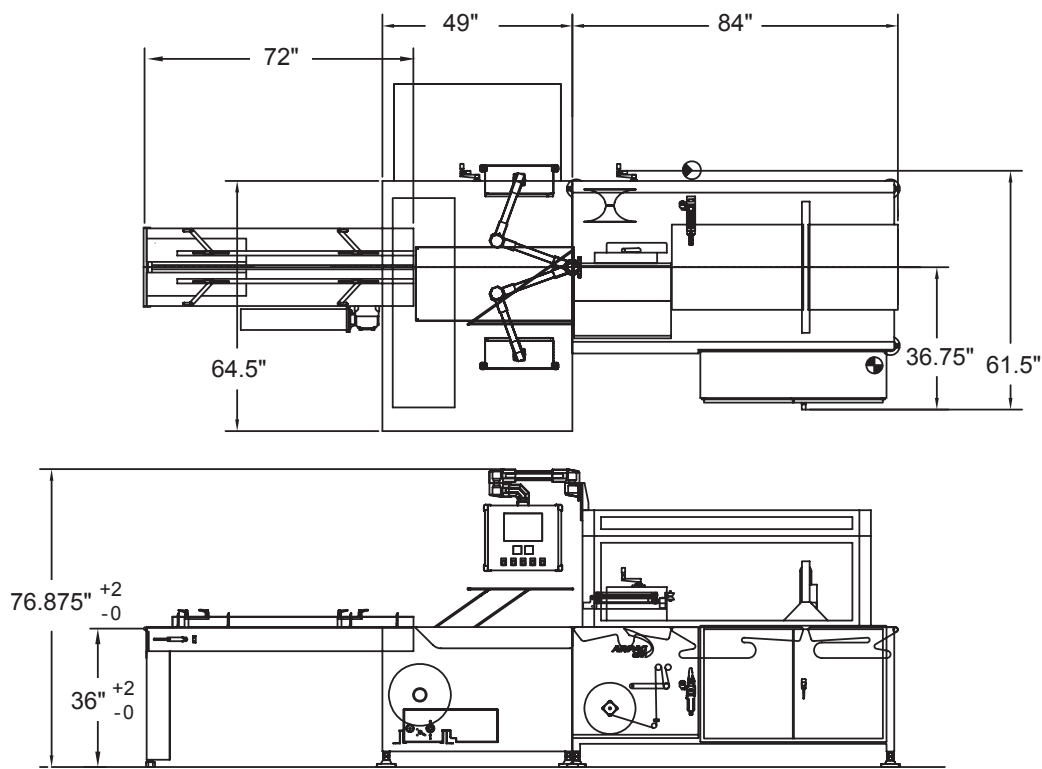
## Features & Benefits

### Machine Features

- Heavy-duty rugged construction designed for high durability and around-the-clock operation
- Servo driven seal carriage and seal head
- 24" wide seal bar, with 10" seal opening
- Horizontal/vertical sealing capability
- Standard 6' flighted infeed conveyor
- Dial indicators on all manual adjustments
- Guards and control box doors are electrically interlocked
- Allen-Bradley® CompactLogix PLC
- Allen-Bradley® PanelView touchscreen interface, message display, package calculators and self-diagnostics
- Programmable recipes for a variety of product sizes
- NEMA 12 electrical cabinet and controls
- Low film alert warns that a film changeover will soon be necessary
- Central point lubrication simplifies preventive maintenance

### APPLICATIONS

- Plates
- Mailers
- Cosmetics
- Games
- Hardware
- Light bulbs
- Oil filters
- Pharmaceuticals
- Software
- CDs/DVD's
- Paper products
- Boxes
- Trays
- Multipacks



Right hand model with optional control panel shown  
Opposite hand available on request

### Options

- Stainless-steel construction
- Band sealer for PVC and new generation high strength polyolefins
- Casters for machine portability
- Film cart
- UL / CSA approved electrical cabinet
- Swivel mounted control panel provides access from both sides
- Stack light and horn
- Film print registration
- Low product detection
- Hole punch
- Shrink tunnel
- Customized infeeds
- Available with variety of infeeds including:
  - lug infeeds in 6', 10', 15', 20' lengths
  - dual pacing belt infeed
  - flight bar infeeds in 10' and 20' lengths

### SPECIFICATIONS

#### Speed

- Up to 140 packages per minute
- Up to 140 feet per minute

#### Power Requirements

##### Electrical

- 460VAC, 3Ph, 60Hz, 44A
- Other voltages available on request
- Compressed air may be required for certain options

#### Product Range\*

- Width: 2" to 22"
- Length: 5" to infinite
- Height: 1/4" to 10"

\* Package maximums cannot occur together.

#### Film

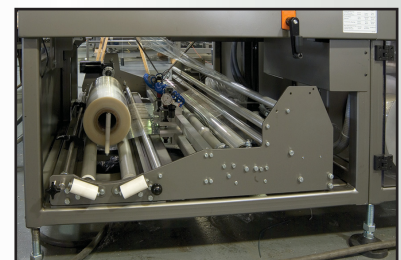
- Max. film width: 50" single-wound
- Film type: polyolefin, polyethylene, PVC and PLA
- Clear or printed



High Speeds Up To 140 Feet Per Minute



Optional Operator Controls Can Be Reached From Both Sides of Machine



Low Height Slide Out Film Rack for Easy Film Loading