



MACHINE FEATURES

- Heavy-duty rugged tubular frame construction designed for high durability and around-the-clock operation
- Laser cut and CNC machined components for maximum precision and strength
- Powder coat finish that provides a durable scratch resistant surface and prevents corrosion
- ARPAC designed rack and pinion seal carriage
- Allen-Bradley® programmable logic controller
- Allen-Bradley® PanelView 600Plus operator interface with color touchscreen, message display and self-diagnostics
- Self-contained vacuum system
- Vacuum belt

- Standard horizontal and vertical cross seal
 - 8" seal bar opening
 - 17" wide seal bar
 - Static bottom seal
 - Guards and control box doors are electrically interlocked
 - Relaxed film tension at cross seal
 - Needle wheel film perforator
 - Missing product detection
 - Low film alert
 - NEMA 12 main electrical cabinet and controls
 - Central point lubrication simplifies preventive maintenance

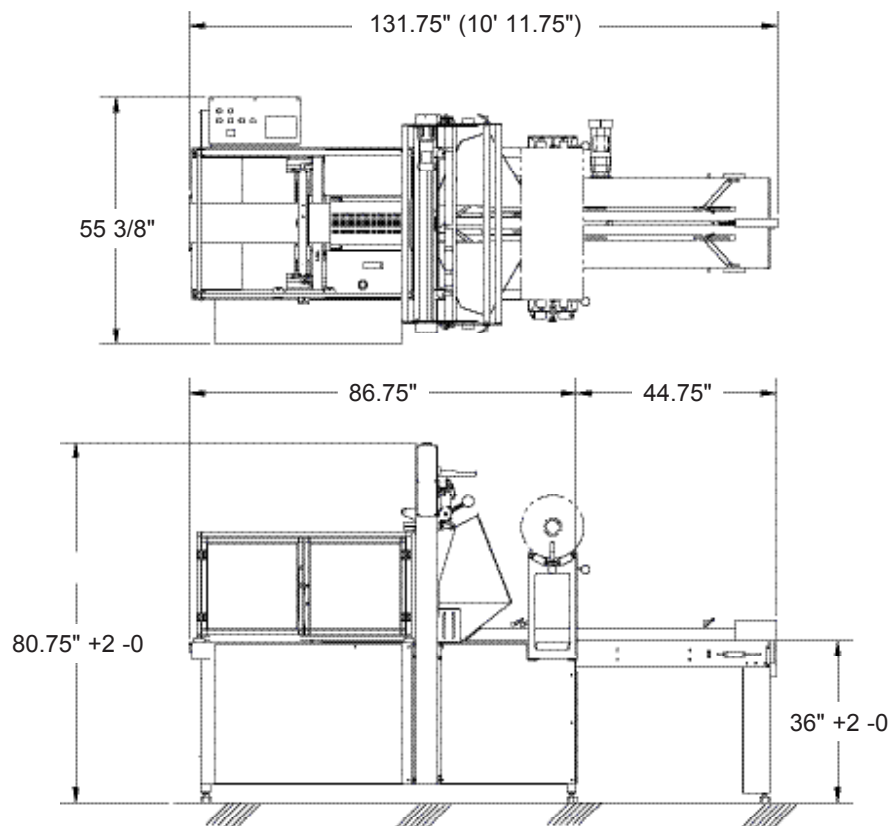
Product Size	Width	Length	Height
Seal Bar (Vertical)	2"-8"	3.5"-60" *	2"-12"
Seal Bar (Horizontal)	2"-16"	3.5"-60" *	.25"-8"

APPLICATIONS

- Multipacks
- Games
- Food products
- Mailers
- Spray cans
- Light bulbs
- Cosmetics
- Print applications
- Paper products

Specifications and product sizes may vary, depending upon the application.

* 3.5" or less with optional seal jaw bridge



OPTIONS

- Variable speed discharge conveyor (for bunching)
- Belted infeed
- Seal jaw bridge
- Extended flighted infeed
- Stainless-steel construction (HCS37)
- Application specific infeeds
- Print registration capability
- Thermal bottom seal
- Static/thermal bottom seal
- Hot air bottom seal (for polyethylene film)
- Easy open film perforation system
- Hole punch
- Paper feeders
- 460VAC, 3PH, 15A
- Variety of "Quick-Connect" infeed systems

SPECIFICATIONS

Speed

- Up to 80 bundles per minute
- Up to 90 linear feet per minute

Power Requirements

Electrical

- 230VAC, 1Ph, 22A, 5.1kW

Pneumatic

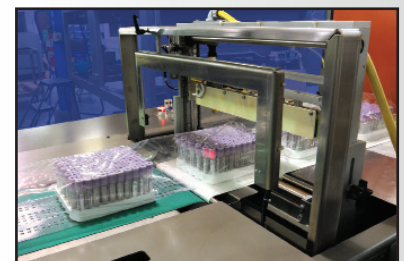
- 80 psi, 10 CFM

Film

- Max. film width: 37" single-wound
- Max. film roll diameter: 14"
- Seal bar width: 17"
- Film type: polyolefin, PVC or polyethylene



User-Friendly Operator Controls



Interchangeable Horizontal / Vertical Cross Seal



Film Cradle for Easy Film Loading