



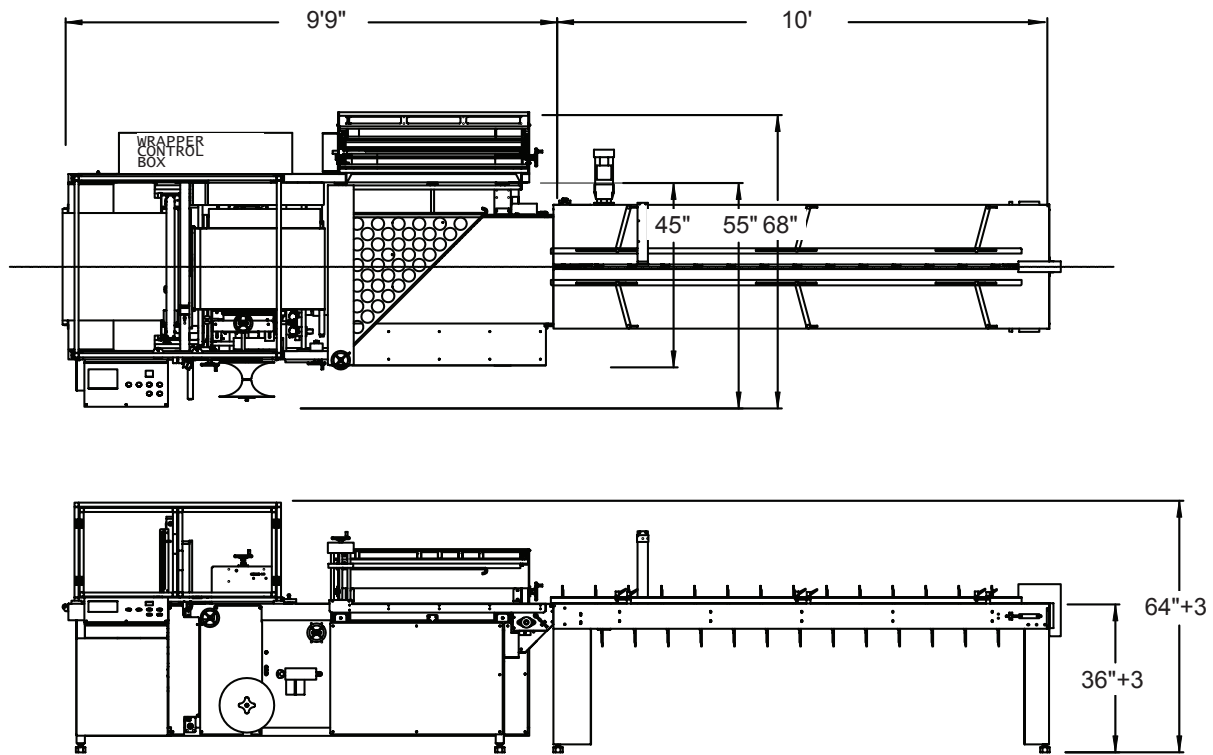
Features & Benefits

Machine Features

- Heavy-duty rugged tubular frame construction for high durability and around-the-clock operation
- Laser cut and CNC machined components for maximum precision and strength
- Powder coat finish that provides a durable scratch resistant surface and prevents corrosion
- Allen-Bradley® PanelView 600Plus operator interface with color touchscreen, message display and self-diagnostics
- Allen-Bradley® CompactLogix PLC
- Digital counters and scales for easy and repeatable product setups
- Guards and control box doors are electrically interlocked
- 10' flighted infeed with independent drive
- Variable speed operation
- Needle wheel film perforator
- Quick change seal bar
- Quick change seal height
- Miser wheels
- Missing product detection
- NEMA 12 main electrical cabinet and controls
- Driven cradle rollers for smooth film loading
- Rapid hand wheel changeover
- Evenly wound scrap removal system compacts excess film scraps
- Central point lubrication simplifies preventive maintenance

TRAY APPLICATIONS

- Shutters
- Desk pads
- Rugs
- Artwork & supplies
- Large toys & games
- Knock-down boxes
- Oversize envelopes
- Bakery products
- Multipacks of facial tissue



OPTIONS

- Belted infeed
- Extended flighted infeed
- Random hole punch
- Inverting head with film support guide
- Infeed paper guides
- Print registered film capability
- Centerfolder to allow utilization of flat film (66")
- Right angle indexer
- Customized infeeds available depending on application
- Easy open film perforation system
- 480VAC, 1 Ph, 60Hz, 6A

SPECIFICATIONS

Speed

- Up to 60 packages per minute (based on product specifications)
- Output speed: up to 80 linear feet per minute

Power Requirements

Electrical

- 240VAC, 1 Ph, 60Hz, 20A

Pneumatic

- 80 psi, 5 CFM

Product Range

- Width: 8" to 26"
- Length: 4" (w/o bridge) to infinite
- Height: 1/8" to 12"

Film

- Max. film width: 33" centerfolded
- Max. film roll diameter: 14"
- Film type: polyolefin, polyethylene (L.D.P.E) or PVC
- 28" wide seal bar



User-Friendly Operator Interface



Side Mounted Film Cradle for Easy Film Loading



Dial Indicators On All Manual Adjustments