

TS37

Side Seal Horizontal Shrink Wrapper

ARPAC®

A DURAVANT COMPANY



TRAY APPLICATIONS

- Bottles
- Mailers
- Cosmetics
- Games
- Spray cans
- Paper products
- Food products
- Pharmaceutical
- Multipacks
- Linens
- Toys
- Hardware
- Software



FEATURES & BENEFITS

Machine Features

- Heavy-duty rugged construction for high durability and around-the-clock operation
- Laser cut and CNC machined components for maximum precision and strength
- Powder coat finish that provides a durable scratch resistant surface and prevents corrosion
- Horizontal / vertical cross seal
- Allen-Bradley® PanelView 600Plus operator interface with color touchscreen, message display and self-diagnostics
- Digital counters and scales for easy and repeatable product setup
- Guards and control box doors are electrically interlocked
- 6' flighted infeed with safety torque limiter
- Adjustable film forming head
- Continuous motion seal head for smooth product transitions
- Slide out film rack with needle wheel air evacuation assembly
- Missing product detection
- NEMA 12 main electrical cabinet and controls
- Rapid hand wheel changeover
- Evenly wound trim removal system compacts film trim for easy disposal
- Relaxed film tension at cross seal
- Central point lubrication simplifies preventive maintenance
- Low film alert

SPECIFICATIONS

Speed

- Output speed: up to 80 packages per minute (based on product specifications)
- Output speed: up to 90 linear feet per minute

Power Requirements

- Electrical: 230V,1Ph,22A
- Pneumatic: 80psi,5CFM

Product Range

Vertical Seal Bar

- Width: 2" - 7.5"
- Length: 3 1/2" - 60"
- Height: 2" - 12"

Horizontal Seal Bar

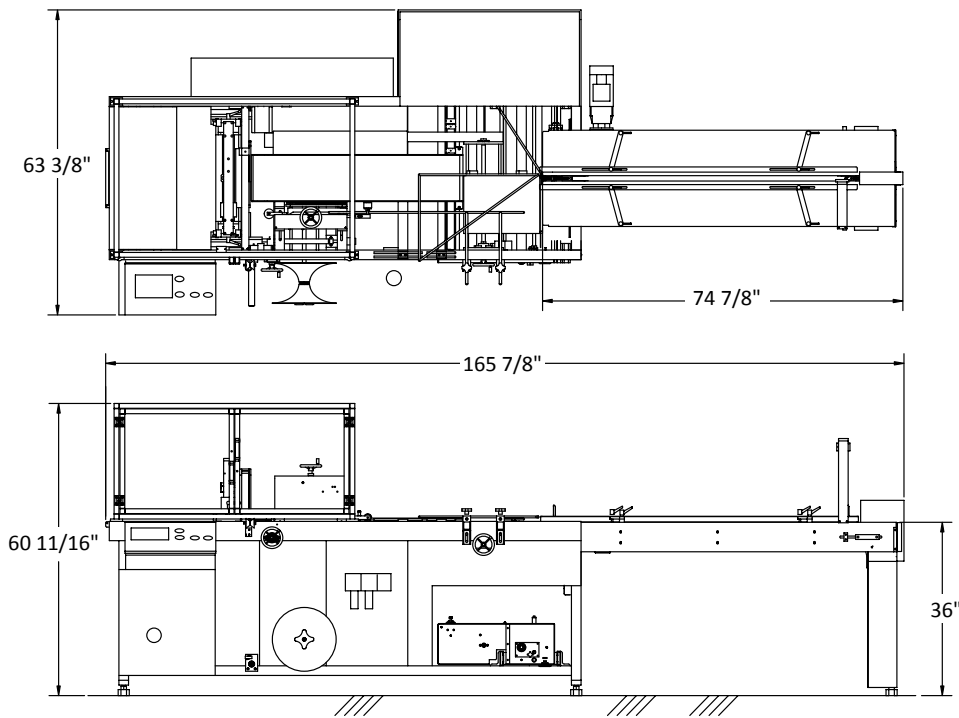
- Width: 2" - 16"
- Length: 3 1/2" - 60"
- Height: 1/4" - 7.5"

Specifications and product sizes may vary, depending upon the application. Max. package dimensions cannot occur together.

Film

- Max. film width: 39" single-wound
- Max. film roll diameter: 14"

Left hand model shown. Opposite hand available on request
 Note: Final Layout May Vary

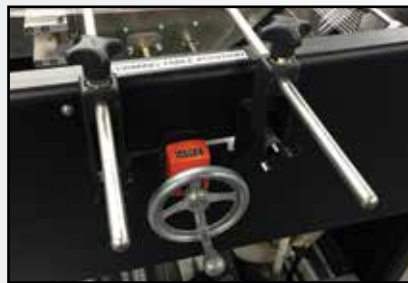


OPTIONS

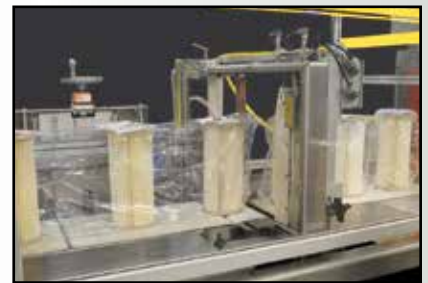
- Belted infeed
- Seal jaw bridge
- Extended flighted infeed
- Random & infinite length infeeds
- Stainless steel construction
- Low pressure roller infeed with automatic speed zone control
- Application specific infeeds
- Print registered film capability
- Pneumatic hole punch system
- Easy open film perforation system
- 460V, 3Ph, 15A



Horizontal Sealing System



Digital Counters and Scales for Fast and Repeatable Product Setup



Built-In Vertical Sealing System - Changeover Less Than 20 Minutes

**Complete Aftermarket
 Service & Support
 for Your Packaging
 Equipment**

SUPPORTPRO™

A DURAVANT SERVICE

Call **844.777.8776** for your regional tech

24/7 Help Available



THE DURAVANT FAMILY OF COMPANIES

ARPAC | FISCHBEIN INTERNATIONAL | FMH CONVEYORS | HAMER-FISCHBEIN | KEY TECHNOLOGY | MARLEN INTERNATIONAL | MESPACK | OHLSON | QC INDUSTRIES

www.duravant.com